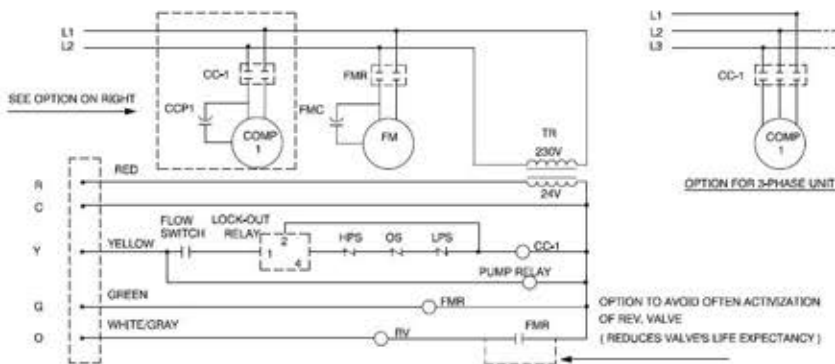
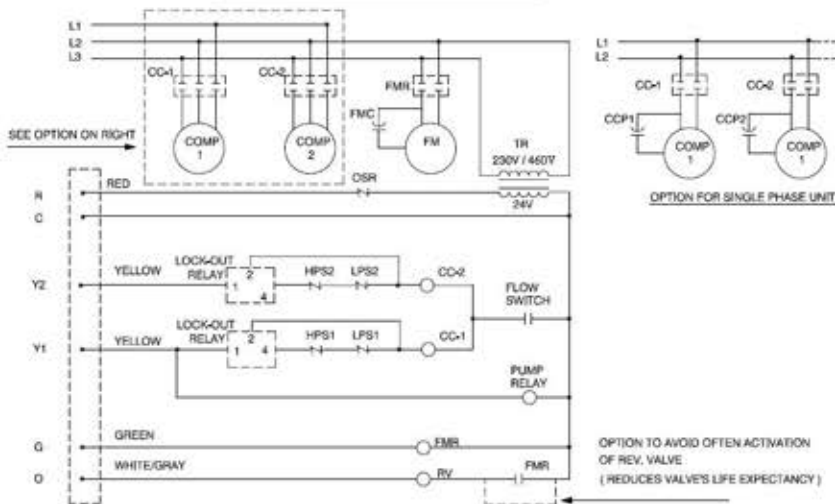


1 COMP 1 CIRCUIT - SINGLE PHASE



2 COMP 2 CIRCUITS - THREE PHASE



LEGEND

TR	- TRANSFORMER	FMC	- FAN MOTOR CAPACITOR
COMP	- COMPRESSOR	LPS	- LOW PRESSURE SWITCH
CC	- CONTACTOR	HPS	- HIGH PRESSURE SWITCH
CCP	- COMPRESSOR CAPACITOR	OS	- CONDENSATE OVER-FLOW SWITCH
FM	- FAN MOTOR	RV	- REVERSING VALVE
FMR	- FAN MOTOR RELAY		

** FAN MOTOR WIRE SPEEDS

- BLACK - HIGH SPEED
- BLUE - MEDIUM SPEED
- RED - LOW SPEED

** When applicable

- NOTES:
- Compressor and blower motor internally thermally protected.
 - For line voltage wiring use copper conductors only.
 - All wiring to the unit must comply with local electrical codes.

Adding Electric Heat to WSHP

